

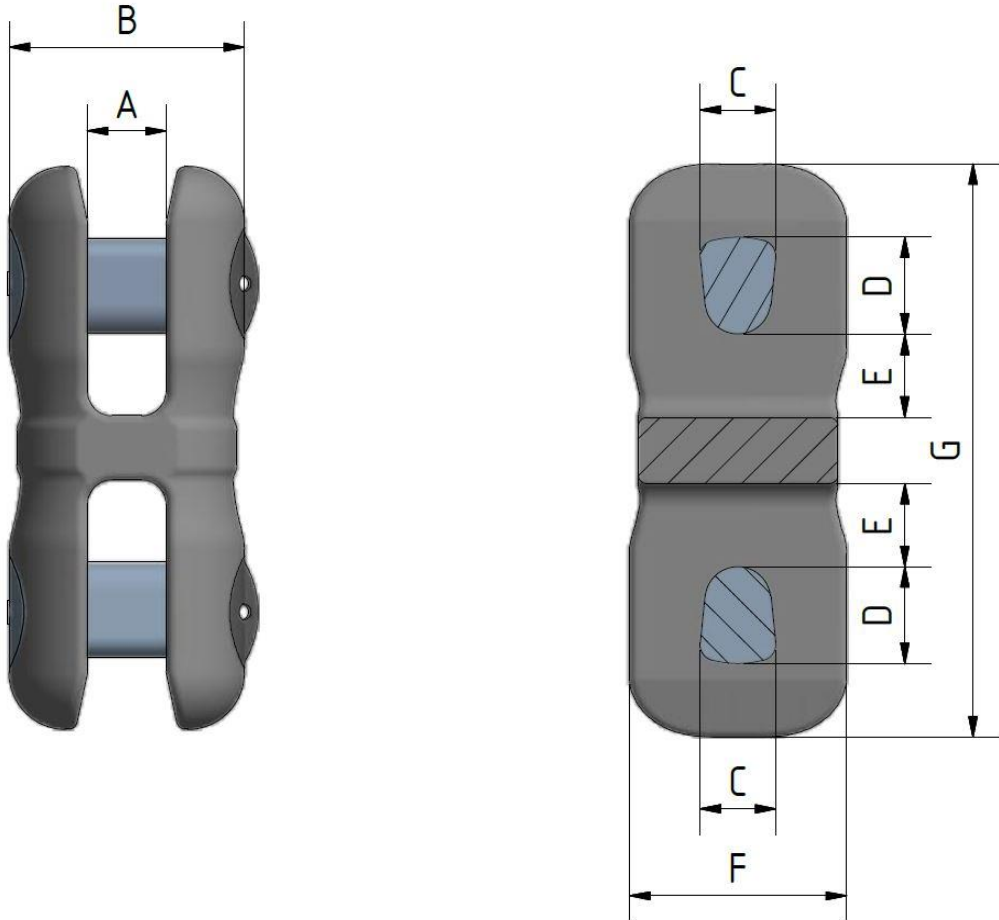
Links



Hybrid H-Connector

Type Approved by DNV-GL

Offshore accessory to be used for Temporary, Mobile and Long Term Mooring as defined in DNVGL-OS-E301, Position Mooring



chain dia.	A	B	C	D	E	F	G	76 mm R5 PL kN	76 mm R5 MBL kN	84 mm R4 PL kN	84 mm R4 MBL kN
76-84	97	290	92	118	101	263	696	5498	7009	5682	7208



Type approved by:

DNV-GL

Application:

Temporary, Mobile and Long Term Mooring

Manufactured & Tested: in Germany by Feubo

Material:

Forged Steel - Grade R4, R5

Features:

Used in connection with stud link and studless common links for Temporary, Mobile and Long Term Mooring as defined in Offshore Standard DNV-GL-OS-E302